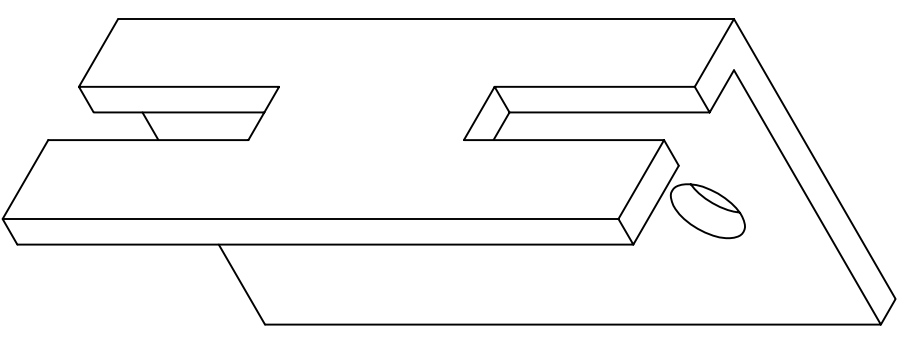


PLACES
 (2)
 $\varnothing \frac{1}{4}$



200L STRIKE

MATERIAL
 14 GA. S/S
TYPE 304
NO. 4 FINISH

