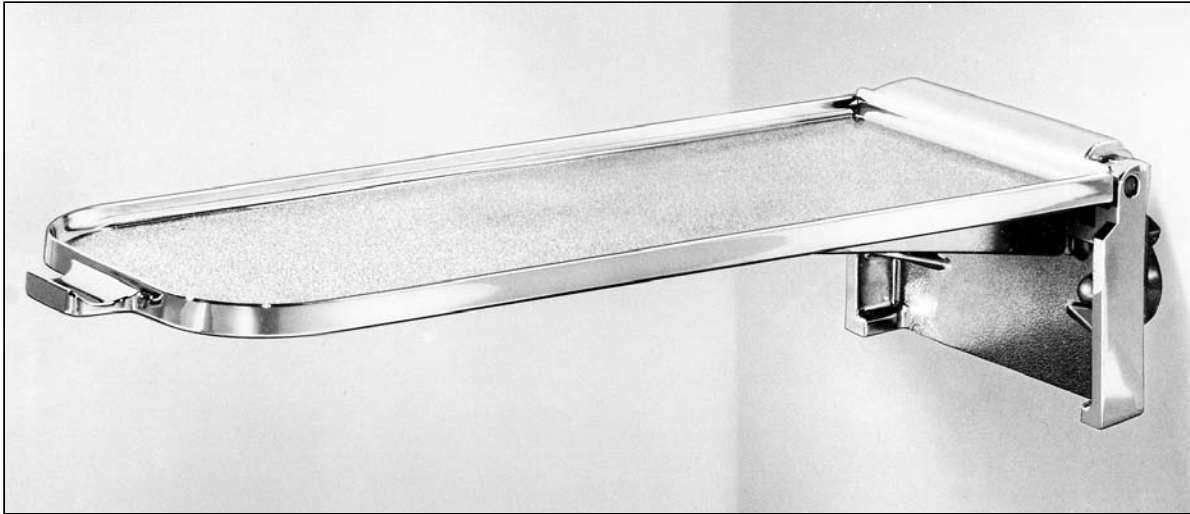
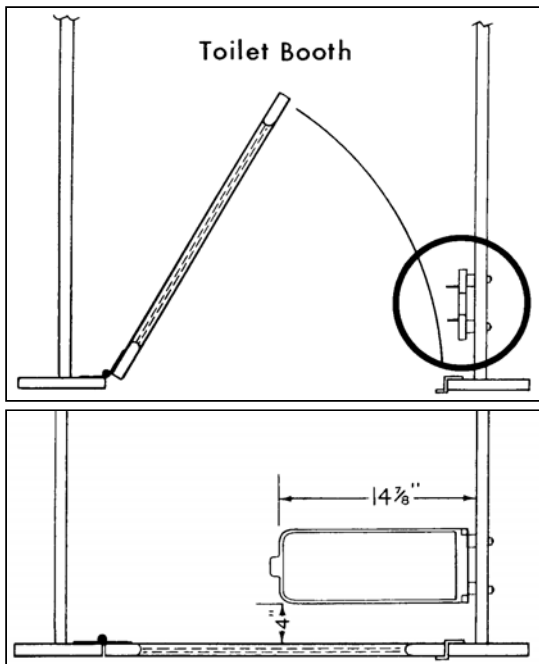


PULL DOWN UTILITY SHELF

Model 8



This is without a doubt the most appreciated addition to any public restroom. Our heavy-duty pull down utility shelf provides a safe place for patrons to place their belongings while using your facilities. The spring-loaded design automatically folds up out of the way when not in use and makes it virtually impossible to leave their belongings behind.



CONSTRUCTION:

SHELF AND MOUNTING BRACKET of heavy-duty zinc die casting with chrome-plated finish. Shelf has textured non-slip surface.

OPERATION:

Hinged shelf stores in vertical position, folds down for use. Spring-loaded design automatically returns to upright position when objects are removed.

DIMENSIONS:

Length - 14 7/8"
Width - 5 1/2"

CAPACITY:

Holds up to 150 pounds.

INSTALLATION:

Easily secured to wall or partition with two 1/4" mounting holes 4" apart. Partition mounting hardware included.



Nik-O-Lok, Inc.
3130 N. Mitthoeffer Road
Indianapolis, IN 46235
317-899-6955 fax

800-428-4348